

VAPOR BUS DOOR EQUIPMENT

Electric Dual Linear Door System

NEW



Introducing Next Generation, Low-Profile, High-Efficiency Actuators and Advanced Controls

The innovative Vapor Electric Linear (vEL™) door actuator and Vapor vDEC™ controller deliver smooth, quiet and reliable operation for a wide range of bus door applications. The vEL design integrates with a compact baseplate assembly for easy installation with minimal header area space claim. The unique vEL actuator and vDEC control system eliminates linkage adjustments and ensures optimal door functionality.

The new vDEC electronic door control module assures precise door opening and closing speeds, obstruction sensing, advanced event logging, communication and diagnostic capabilities.

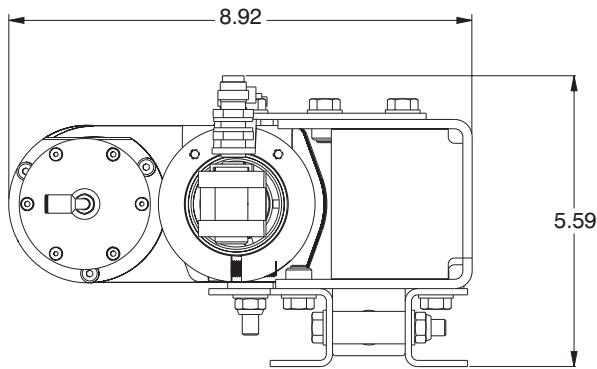
- Can be applied to double or single door panel configurations
- Dual door panels can be independently operated to control passenger flow and minimize conditioned air loss
- vEL actuator incorporates service-proven, positive gear-drive technology
- Robust mechanical design ensures minimal maintenance for minimum 12-year service life
- Integral emergency release mechanism includes brake-state monitoring switch

vDEC Electronic Controller

- Powerful, intelligent controller provides full range of functional capabilities and interface options
- Self-optimizing door setup simplifies installation and adjustment
- Detailed event logging for superior diagnostic capabilities and maintenance alerts
- Advanced door motion algorithms provide accurate and consistent door opening and closing speeds and enhanced obstruction sensing
- CAN bus communication
- Intuitive user interface



Electric Dual Linear Door System



Technical Specifications

- **Door Opening/Closing Times:**
Fully programmable – 2.0 to 3.0 seconds
- **Obstruction Detection:**
Electric or pneumatic Sensitive Edges
Electronic motion control algorithms
- **Emergency Release:**
Manually actuated pneumatic release
- **Communications Interface:**
CAN bus
- **Diagnostics:**
Vapor user interface via USB
- **Operating Voltage:**
24VDC nominal
- **Operating Temperature:**
- 4° to 140° F (- 20° to 60° C)
- **Design Life:**
1,000,000 cycles or 12 years minimum

Complies with all North American and EU requirements

Applications

- Transit and commercial buses
- Single and dual door panel applications

Vapor Bus International is the principal supplier of passenger door equipment to major North American bus manufacturers and a subsidiary of the Wabtec Corporation and Faiveley Transport, leading global providers for the passenger transit and freight rail industries.



CityView

Ameriview

CityView
Bonded

Vapor Door Panel Designs

Patented Vapor CityView® door panels feature a sleek, contemporary full-glass frameless exterior. Ameriview® door panels combine modern appearance with unique durability. CityView and Ameriview door panels feature Quick-Change Glazing replacement to minimize vehicle downtime. CityView bonded, full-glass exterior door panels are also available. See Vapor bulletin number 53-8006.

Options and Accessories

Electric or pneumatic sensitive edges, CLASS® Contact-less Acoustic Sensing System, LightTouch™ passenger assists, DDC Driver Door Controller, OPS Optical Pressure Sensor, brushes and seals.

Contact Your Vapor Representative to Discuss Application Requirements



1010 Johnson Drive
Buffalo Grove, Illinois 60089 USA

Tel: 847.777.6400
Fax: 847.520.2222

Email: vaporbusinfo@wabtec.com
www.vapordoors.com

Bulletin No. 53-8011 © 4-2017 Printed in U.S.A.

U.S. and foreign patents are applicable and/or pending to products described and illustrated herein. Vapor and Vapor Bus International are registered trademarks of the Wabtec Corporation.

Vapor reserves the right to discontinue products or change product specifications or designs at any time without notification.