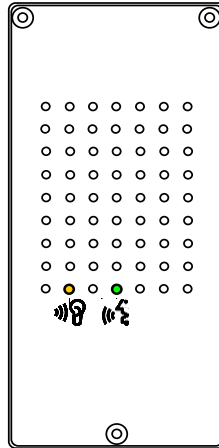


Passenger communication unit

PMR Passenger Intercom (connected to IP, with PoE)



PMR Passenger Intercom

Application

The PCU can be used by passengers to communicate with the driver after activation of the emergency brake. It is connected to the Ethernet network of the vehicle as a SIP-IP-telephone. Power supply is provided via PoE.

Identification	Short description
60.0000.0855	PMR Passenger Intercom (connected to IP, with PoE)

© ANNAX GmbH

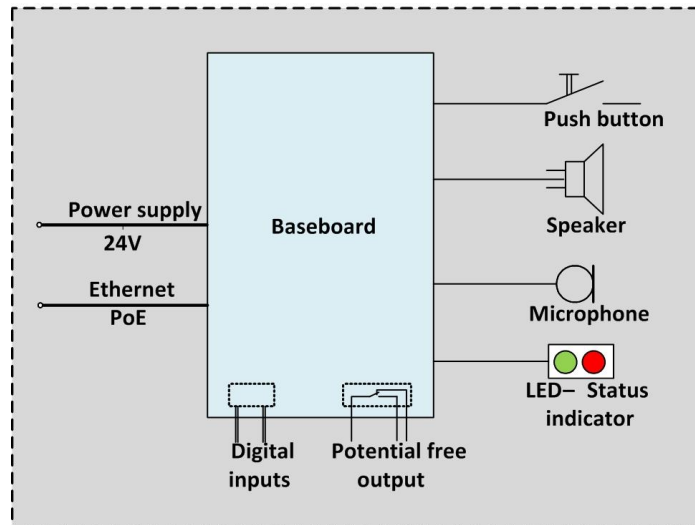
Eugen-Sänger-Ring 15 D-85649 Brunnthal Telefon +49 (089) 614 43 6-0 Telefax +49 (089) 614 43 6-61

Technical changes reserved. With this data devices are specified, not properties assured.

Attention: The color representation does not correspond to the original colors

Technical Description	
Product identification	PMR Passenger Intercom (connected to IP, with PoE)
Material-No.	60.0000.0855
Short description	Passenger Intercom with microphone/loudspeaker working as a SIP IP telephone
Interfaces	
Ethernet network	X1: M12 D-Coding female, 100MBit/s Ethernet
Power supply & Digital I/O	X2: WAGO (734-169) 9 pins male, 24V & 2x Dig In
Push button	X3: D-Sub 9 pins female, activation contact
Digital Input	
Number	2
Type	24V
Software	
Operating system, Software components	LINUX
Housing	
Dimension enclosure (W x D x H)	115x59x244,5 mm
Enclosure material	Aluminum anodised
Colour of enclosure	colorless
Paint	EURAS-Standard C-0 colorless coating paint, ALEXIT Antigrafitti 460-95
Weight	approx. 1,3 kg
Protection class acc. EN60529	Front IP54, back IP20, speaker / microphone IP 34
Earth connection	Ground bolt M6 x 14 mm
Mounting	via 4 screws through the front plate
Operation	
Temperature range (Operation)	EN50155 T3 -25°C-+70 °C
Storage condition	1K2 according to EN 60721-3-1
Power supply	PoE
Power consumption	Approx.. 10W
Standards	
Certification	EN50155
EMC	EN 50121-3-2:2015
Fire safety	EN 45545-2 A1:2015

Blockdiagram:



Structure:

The PCU is used for passenger emergency communication with the driver. The PCU works as a SIP-IP-telephone on the Ethernet network of the vehicle.

The PCU is equipped with

- Ethernet interface 100 Mbit/s
- 2 digital inputs
- 2 LEDs showing the status of device.
- Power supply is provided via PoE

The function of the connected pushbuttons and indicator lights is configured by software. The network address is determined port based by DHCP.

© ANNAX GmbH

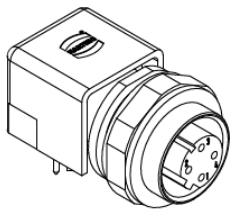
Eugen-Sänger-Ring 15 D-85649 Brunnthal Telefon +49 (089) 614 43 6-0 Telefax +49 (089) 614 43 6-61

Technical changes reserved. With this data devices are specified, not properties assured.

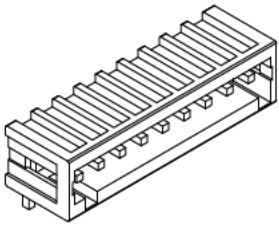
Attention: The color representation does not correspond to the original colors

Connectors:

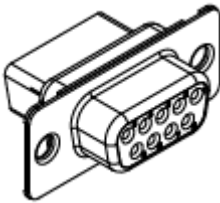
X1 M12, D-coded, 4-pin, female: Ethernet network

	Pin	Content
	1	TD+
	2	RD+
	3	TD-
4	RD-	

X2 WAGO (734-169) male, 9-pol: Digital I/O & Power Supply

	Pin	Content
	1	+24 V DC
	2	0 V DC
	3	NC
	4	digital input 1 (a)
	5	digital input 1 (b)
	6	digital input 2 (a)
	7	digital input 2 (b)
	8	NC
9	NC	

X3 D-Sub female 9-pol: Push button

	Pin	Content
	1	Push button A
	2	Reserved
	3	Reserved
	4	Reserved
	5	Reserved
	6	Reserved
	7	Reserved
	8	Push button B
9	Reserved	

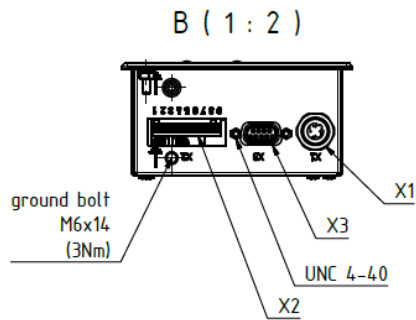
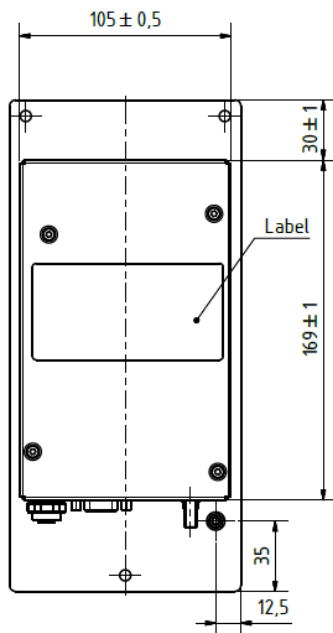
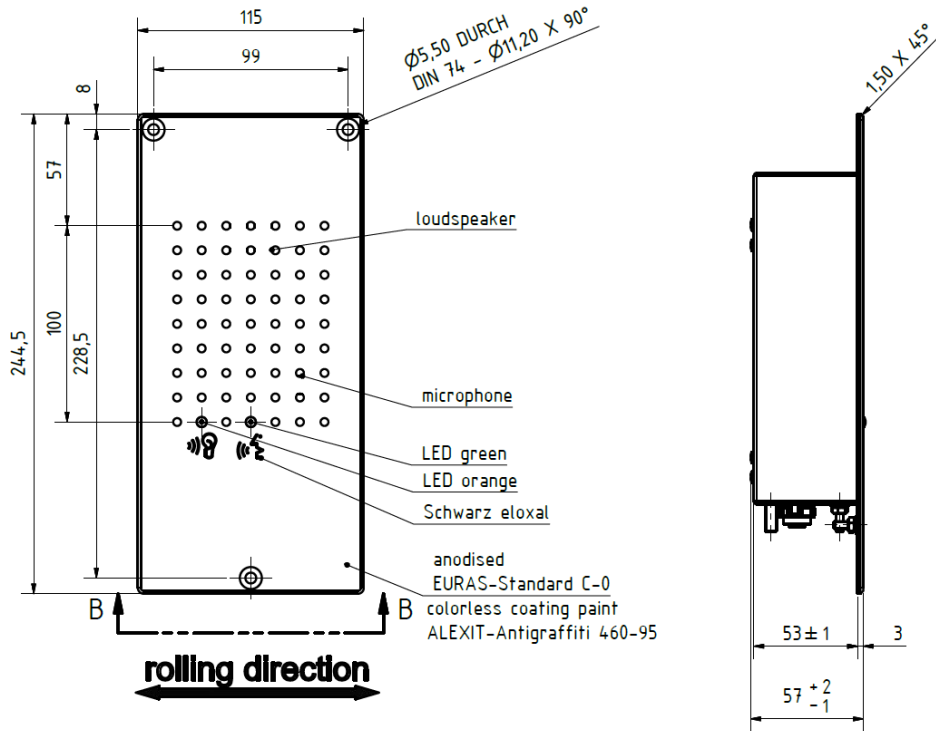
© ANNAX GmbH

Eugen-Sänger-Ring 15 D-85649 Brunnthal Telefon +49 (089) 614 43 6-0 Telefax +49 (089) 614 43 6-61

Technical changes reserved. With this data devices are specified, not properties assured.

Attention: The color representation does not correspond to the original colors

Drawing



© ANNAX GmbH

Eugen-Sänger-Ring 15 D-85649 Brunthal Telefon +49 (089) 614 43 6-0 Telefax +49 (089) 614 43 6-61

Technical changes reserved. With this data devices are specified, not properties assured.

Attention: The color representation does not correspond to the original colors