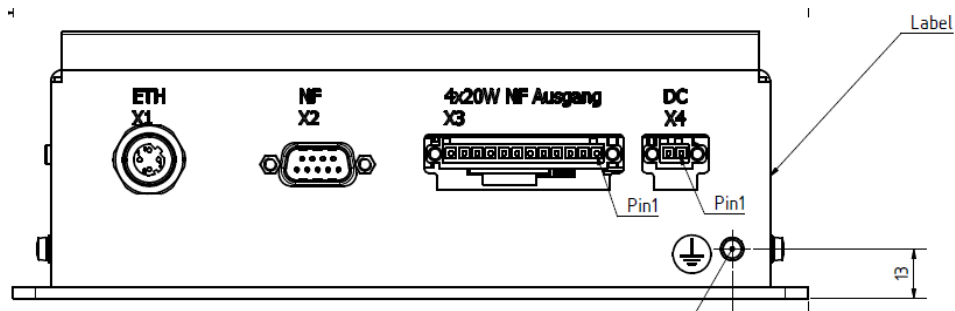


Audio Amplifier

Audio-Amplifier (ACC) IP-based



Audio-Amplifier (ACC) IP-based

Application

The IP based Audio Amplifier is equipped with 4 independent low impedance audio amplifiers and an Ethernet interface for

Identification	Short description
60.0200.0314	Audio-Amplifier (ACC) IP-based

© ANNAX GmbH

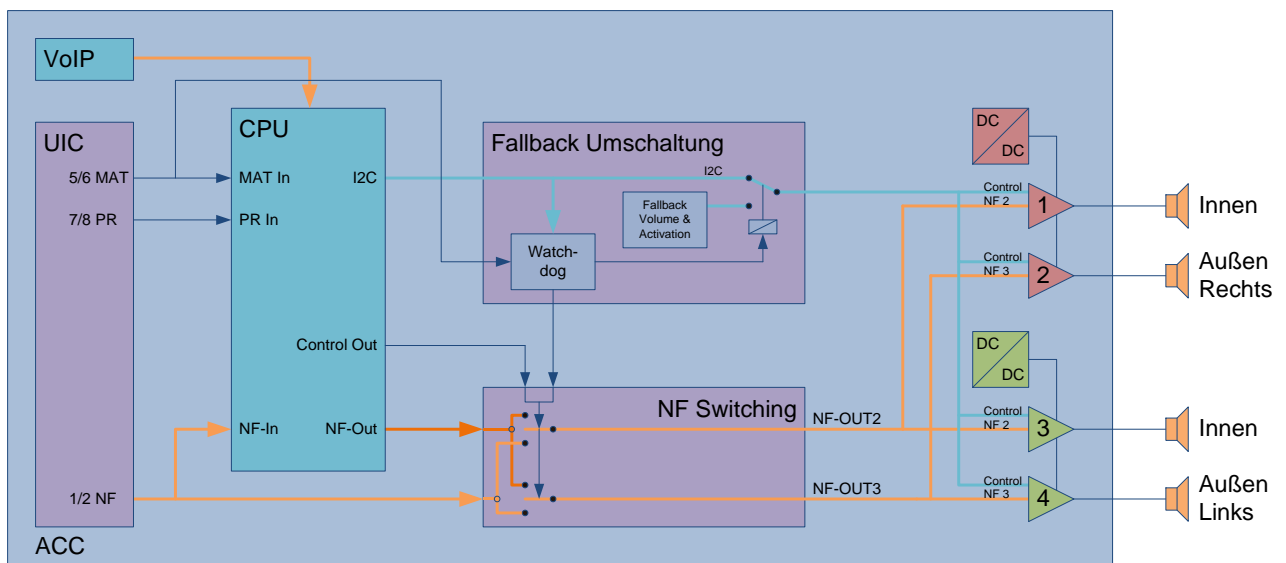
Eugen-Sänger-Ring 15 D-85649 Brunnthal Telefon +49 (089) 614 43 6-0 Telefax +49 (089) 614 43 6-61

Technical changes reserved. With this data devices are specified, not properties assured.

Attention: The color representation does not correspond to the original colors

Technical Description	
Product identification	Audio-Amplifier (ACC) IP-based
Material-No.	60.0200.0314
Short description	IP audio amplifier with 4 loudspeaker outputs with 20W each
Interfaces	
Ethernet network	X1: M12 D-Coding female, 100MBit/s Ethernet
Audio fallback & measuring microphone	X2: D-Sub 9 pins male, audio interface
Loudspeaker outputs	X 3 Wago MCS-MINI 3,5mm, 12 pins, low impedance loudspeaker outputs
Power supply	X4: MCS-MINI 3,5mm, 2 pins, 24V
Loudspeaker outputs (per channel)	
Output power	20W typ.
Minimum load impedance	4 Ω
Frequency range	140Hz – 15 kHz
Distortion	$\leq 0,5\%$ (1 kHz, 10W, 8 Ω)
Output protection	Short circuit and over temperature protection
Software	
Operating system, Software components	LINUX
Housing	
Dimension enclosure (W x D x H)	210x120x70 mm
Enclosure material	Aluminum
Weight	1,4 kg
Protection class acc. EN60529	IP40
Earth connection	Ground bolt M6 x 16 mm
Mounting	Via footplate screwed to wall or ceiling
Operation	
Temperature range (Operation)	EN50155 T3 -25°C-+70 °C
Storage condition	1K2 according to EN 60721-3-1
Power supply	24V
Power consumption	Standby 10W, max. 135W
Standards	
Certification	EN50155
EMC	EN 50121-3-2:2015
Fire safety	EN 45545-2 A1:2015

Block diagram:



Structure:

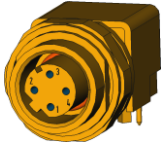
The IP amplifier contains four 20 watt loudspeaker amplifiers, which can be configured as indoor speakers or outdoor speakers. The volume can be set separately for each channel.

Three LEDs indicate the status:


- Power
- Ethernet
- (At least) one speaker channel active

Connectors:

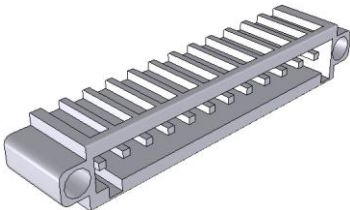
X1 M12 D-Coding female: Ethernet network

Connector	Pin/ Signal
 M12 D Coding, 4-pin, female	1 TD + 2 RD + 3 TD - 4 RD -

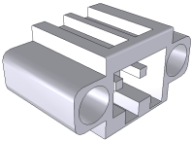
X2 D-Sub 9 pins male: Audio fallback & measuring microphone

Connector	Pin/ Signal
 D-Sub 9 pins, male, M3	1 Audio + 2 Microphone + 3 Control + 4 Control 2 + 5 NC 6 Audio - 7 Microphone - 8 Control - 9 Control 2 -

X3 Wago MCS-MINI 3,5mm, 12 pins: Loudspeaker outputs

Connector	Pin/ Signal
 Wago MCS-MINI 3,5mm, 12 pins, male 734-172/108-000	1 LS 1 + 2 Shield 3 LS 1 - 4 LS 2 + 5 Shield 6 LS 2 - 7 LS 3 + 8 Shield 9 LS 3 - 10 LS 4 + 11 Shield 12 LS 4 -

X4 Wago MCS-MINI 3,5mm, 2 pins: Power supply

Connector	Pin/ Signal
 Wago MCS-MINI 3,5mm, 2 pins, male 734-162/108-000	1 0 V 2 24 V

© ANNAX GmbH

Eugen-Sänger-Ring 15 D-85649 Brunnthal Telefon +49 (089) 614 43 6-0 Telefax +49 (089) 614 43 6-61

Technical changes reserved. With this data devices are specified, not properties assured.

Attention: The color representation does not correspond to the original colors

Counter connectors:

Connector	No.	Description	Manufacturer	Part Nr.
X1	1	M12 D-coded, 4 pin, male	free selection	-
X2	-	D-Sub, 9 pins female	free selection	
	-	Crimp contact, female	free selection	
	-	D-Sub housing 9-pins, thread M3	free selection	
X3	1	Wago MCS-MINI 3,5mm, 12-pin, female	Wago	734-112/107-000
	alternative	Wago MCS-MINI 3,5mm, 12-pin, female	Wago	2734-112/107-000
X4	1	Wago MCS-MINI 3,5mm, 2 pin, female	Wago	734-102/107-000
	alternative	Wago MCS-MINI 3,5mm, 2 pin female	Wago	2734-102/107-000

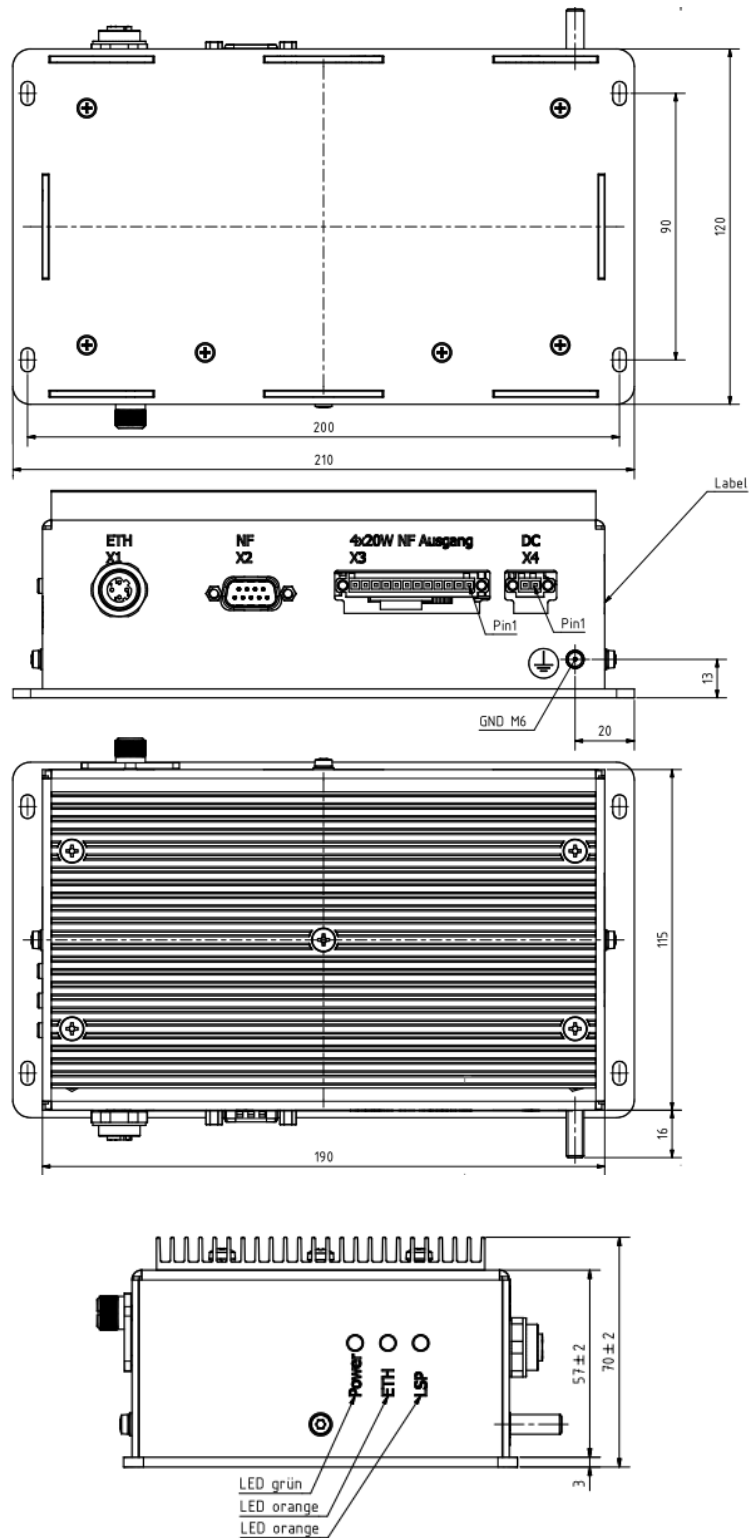
© ANNAX GmbH

Eugen-Sänger-Ring 15 D-85649 Brunnthal Telefon +49 (089) 614 43 6-0 Telefax +49 (089) 614 43 6-61

Technical changes reserved. With this data devices are specified, not properties assured.

Attention: The color representation does not correspond to the original colors

Drawing



© ANNAX GmbH

Eugen-Sänger-Ring 15 D-85649 Brunenthal Telefon +49 (089) 614 43 6-0 Telefax +49 (089) 614 43 6-61

Technical changes reserved. With this data devices are specified, not properties assured.

Attention: The color representation does not correspond to the original colors