

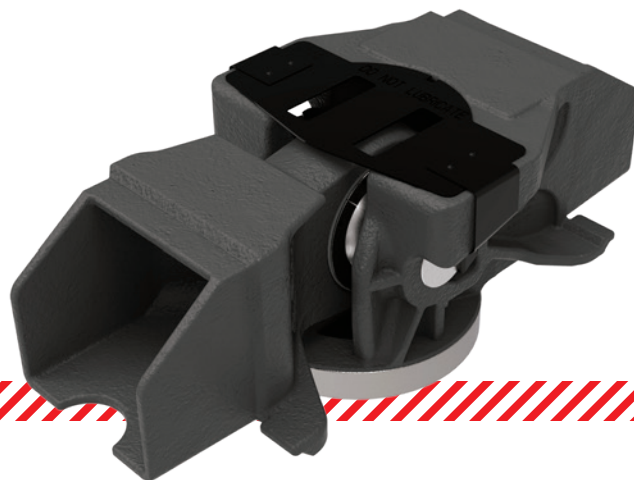


Freight Car  
Solutions



# SAC-1™

Spherical Articulated Coupling



## Secure Connections for a Low Maintenance Haul

The unique wedge design of the SAC-1™ coupling system features a positive, slack-free connection and dramatically reduces wear. This semi-permanent system, intelligently constructed to be low maintenance and self-lubricating, makes the coupling and uncoupling of articulated cars more convenient than ever. Precision-machined, the SAC-1™ can deliver millions of miles of reliable service without slack, droop or the need for side-bearing height adjustment.

- Mirror-finish spherical ball, with Teflon™ lined bearing race and locking wedge
- Compatible for use in 70, 100 and 125 ton trucks, can be used as retrofit
- Vertical travel of  $\pm 11^\circ$  / Horizontal travel of  $\pm 22^\circ$
- Available in 14" and 16" center plate designs



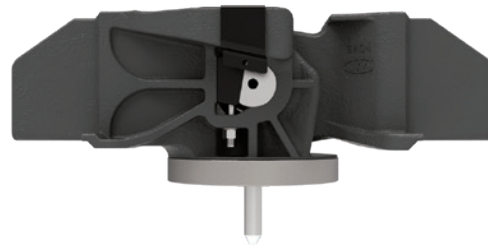
## CUSTOMER BENEFITS:

- + Ultra durable wedge design simplifies use and completely eliminates slack
- + Removes need for coupling and uncoupling during wheel change-outs or other required maintenance
- + Reduces side-bearing height adjustment caused by connector wear
- + Tested and proven to 1,250,000 lbs buff load and 630,000 lbs draft load

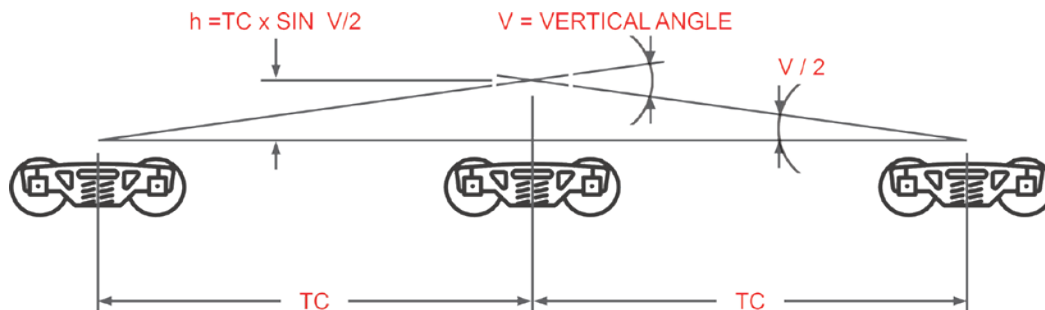
## Exceptional Performance in a Competitive Market

### Additional benefits of use:

- $\pm 13^\circ$  lateral roll
- Minimal center-plate wear
- Significant weight savings and reduced operating costs



Vertical Lift (Maximum Angle: 5.5°)		Other Product Specifications	
Truck Ctr. Spacing (ft)	Max. Height (in)	Lateral Roll	$\pm 13^\circ$
50	57.5	Horizontal Angle	$\pm 22^\circ$
51	59.0	Vertical Angle	$\pm 11^\circ$
52	60.0		
53	61.0		
54	62.5		
55	63.5		
56	64.5		
57	65.5		
58	67.0		
59	68.0		
60	69.0		
61	70.5		
62	71.5		
63	72.5		
64	73.5		



To discover everything the SAC-1 Spherical Articulated Couplings can do, contact:

**Wabtec Corporation**  
 1001 Airbrake Avenue, Wilmerding, PA 15158 USA  
 (888) 264.0011  
 wabtec.com  
 email: info@wabtec.com